

Main Characters

Nominal capacitor	540mAh
Nominal voltage	3.0V
Nominal Discharge current	0.4mA
Max pulse current	25mA
Storage (suggestion) (For more extreme storage conditions, please consult LONGSING)	0°C~30°C
Working temperature range (If the operation temperature is higher or lower than the normal room temperature, the battery capacity which can be used will be less than the nominal capacity.)	-40°C~+85°C
Weight	6g

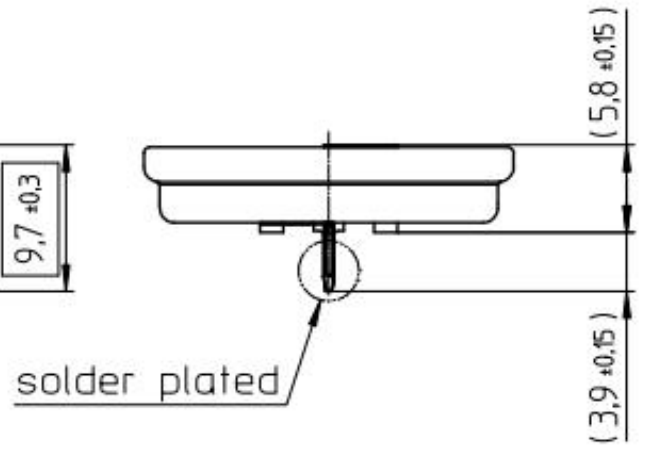
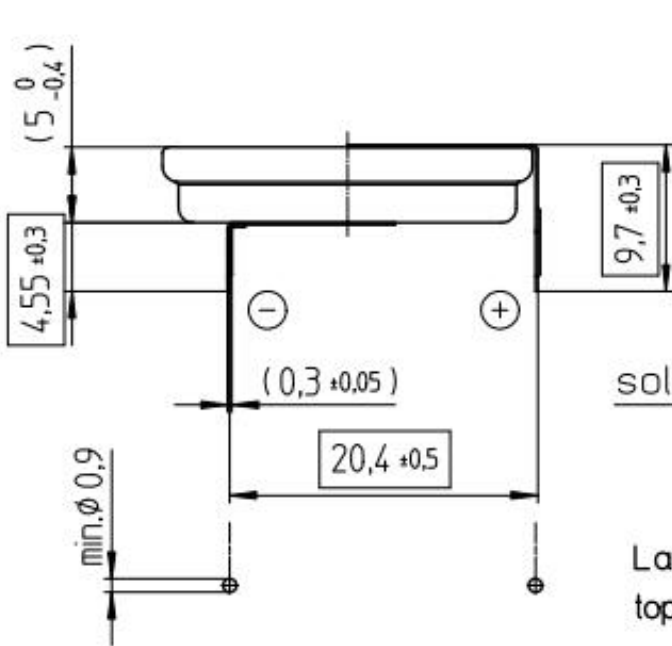
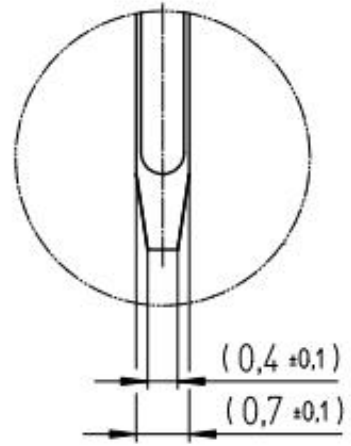
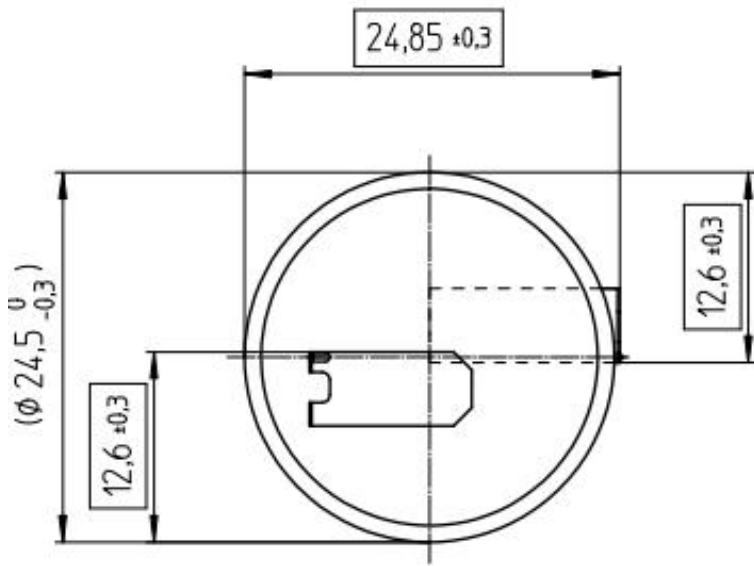


Advantage and characters

- Stable high working voltage
- Low self-discharging rate
(Storage temp over +25°C,
annual self-discharge rate
less than 2%)
- Long storage life
- Complete sealing
- Wide working temp range
- Airtight sealing with metal lid
- Non-combustible electrolyte
- Certificates like CE、SGS、ISO9001、
MSDS、UN38.3

Main application

- Smart meters
- Medical instruments
- Wireless communication
equipment
- Telematics
- Electric toys
- Tracking devices
- Camera



Layout
top view